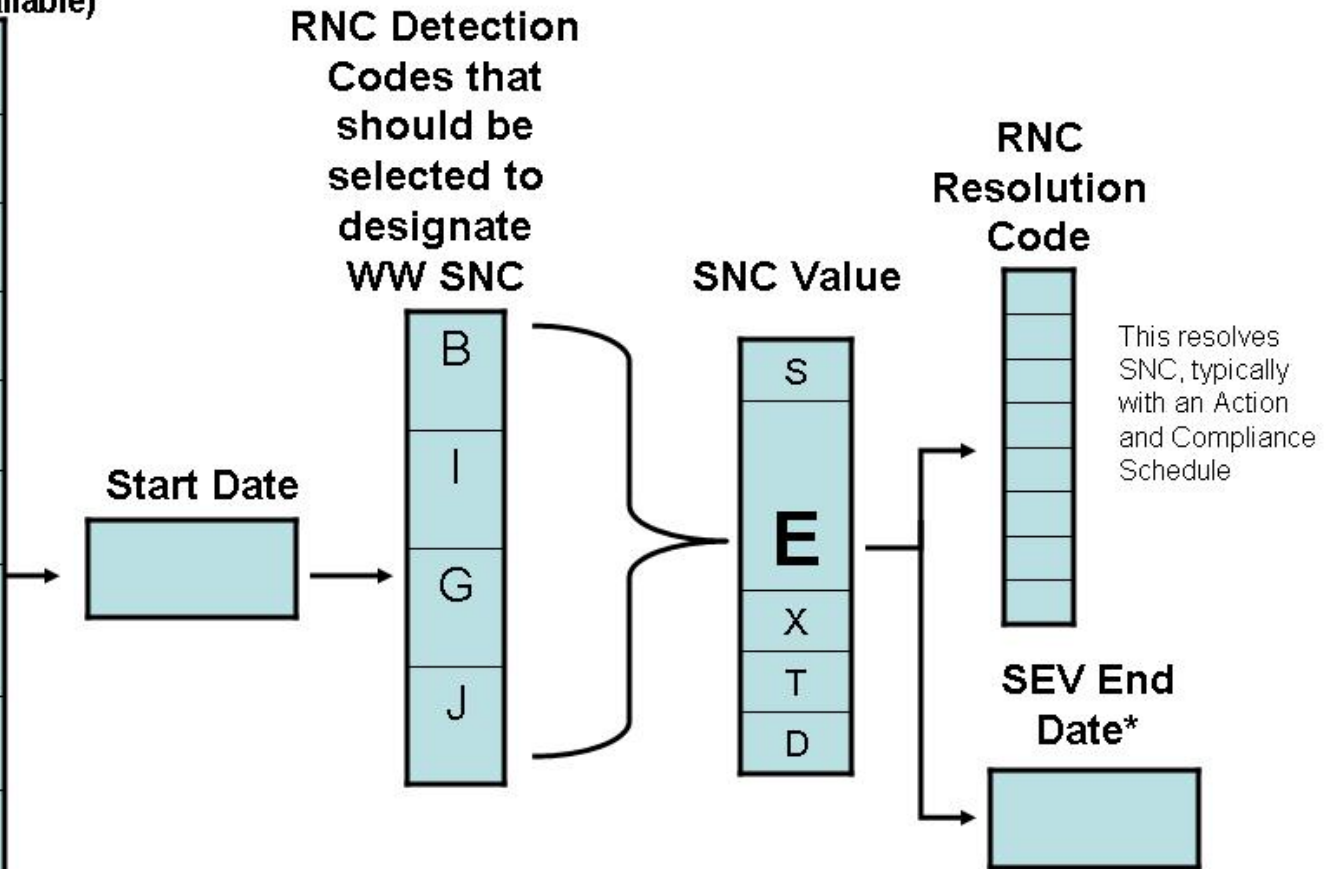




Reporting a Single Event Violation (SEV) that meets Wet Weather SNC definition

SEV Groups
(122 codes available)

Effluent Violations
Pretreatment
WW CAFO
WW SSO
WW CSO
WW Storm Water
Management Practice Violations
Monitoring Violations
Permit Violations
Reporting Violations



Appropriate linkages between inspection data, associated violations, and resulting enforcement should always be entered in ICIS-NPDES. Lead agency (EPA or state) should also be entered (ICIS-NPDES lead agency field to be added 12/08) to ensure proper tracking.

*this date can be entered when the agency confirms return to compliance, when enforcement is taken, or when compliance schedule is completed.