

Manufacturer: MeadWestvaco (MWV): Vicenza S.p.A.
Model: SP05 CR
ASTM Type: IXB (1)

The package consists of a one piece plastic continuously threaded closure and a plastic trigger sprayer pump attached to a container (Figure 1).



Figure 1

The trigger sprayer closure is permanently attached to the container by continuous threading and engagement of matching ratchets in the closure (see blue arrow in the closure in Figure 2A) and two sets of ratchets 180° apart on the container neck finish (see arrows pointing to one set of ratchets the bottle neck finish in Figure 2B). Two diagrams of the neck finish with arrows pointing to ratchets are in Figure 2C.



Figure 2A

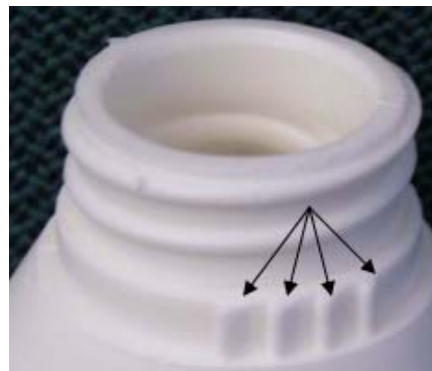


Figure 2B

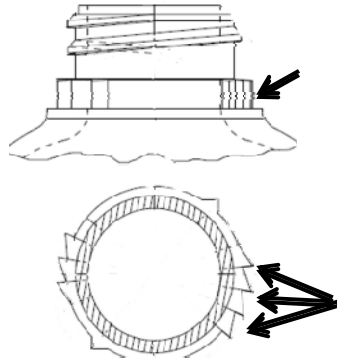


Figure 2C

The trigger's circular nozzle (Figure 3A) has 2 positions:



Figure 3A



Figure 3B

The "off" position, which is labeled "STOP" (Figure 3A) and a spray position indicated by a spray pattern, which is located 90° from "STOP" (Figure 3B). The trigger sprayer will spray as a mist in the marked spray pattern position. There are also two unmarked positions on the nozzle one is located 90° from "STOP" and the other is located 90° from the spray pattern. Neither of these positions will spray, and the nozzle cannot be turned to either of these positions.

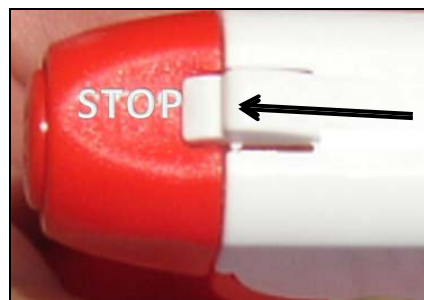


Figure 4

The trigger sprayer is operated by pressing and holding down the safety button on the trigger shroud which has a tab connected to it (see arrow in Figure 4), rotating the nozzle counterclockwise from the “STOP” (off) position (see counterclockwise arrow in Figure 5) to the spraying position (Figure 3B), and then squeezing the trigger.



Figure 5

The safety button does not lock into the cutout on the nozzle in the spray position (see Figure 3B), allowing the nozzle to be moved clockwise back to the “STOP” position (without pressing the safety button). Once in the “STOP” position, the nozzle is locked into place by means of the safety button’s tab located on the trigger shroud (see arrow in Figures 4 and 5) locking into a rectangular cutout on the nozzle (see Figures 3A and 5).

The trigger sprayer manufacturer has no instructions on the trigger sprayer.