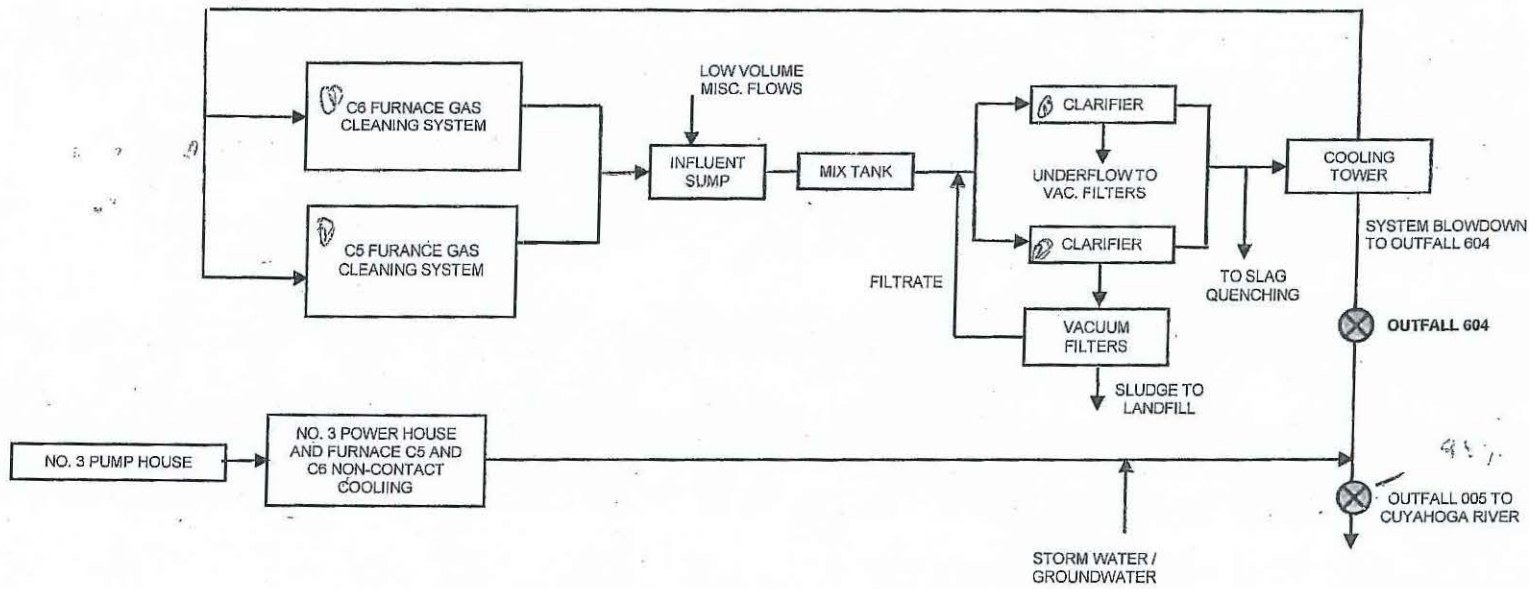



**AR-28**

**FIGURE 4**  
**EXISTING BLAST FURNACE RECYCLE SYSTEM**  
**PREFERRED DESIGN ALTERNATIVE**  
**(SIMPLIFIED LINE DRAWING)**



|   |                                  |                        |
|---|----------------------------------|------------------------|
| <br><b>ArcelorMittal</b> |                                  | <b>CLEVELAND, INC.</b> |
| <b>FIGURE 4</b><br><b>SIMPLIFIED BLAST FURNACE RECYCLE SYSTEM</b>   | REVISION 0<br>03.26.10           |                        |
|   | <b>AMENDOLA ENGINEERING INC.</b> |                        |