



RU Construction Partners 1, LLC



April 21, 2020
John M. Fritzen
Rutgers, The State University of NJ
IPO-Facilities Renovations
33 Knightsbridge Rd Rm 3E
Piscataway, NJ 08854

NOTE: Pages have been redacted or intentionally excluded by the EPA. Contact SRF_AIS@epa.gov to request more detailed information if needed.

Subj: American Iron and Steel Waiver Request for Industrial Process Valves & Strainers

Mr. Fritzen;

Please see attached documentation for the American Iron and Steel waiver request for industrial process gate valves, for the Cogen project. The following valves listed below is what we are requesting a waiver for:

- 18 – ¾" Gate Valve (Socketweld x Thrd.) Carbon Steel, 800LB, Crane Manufacture
- 41 – 2" Gate Valve (Socketweld) Carbon Steel 800LB, Crane Manufacture
- 6 – 6" Gate Valve (Flanged) Carbon Steel 300LB, Crane Manufacture
- 12 – 8" Gate Valve (Flanged) Carbon Steel 300LB, Crane Manufacture

The valves listed above were specified for this project during the design process. Riggs Distler has reached out to multiple valve suppliers that represent typical valve manufactures and could not locate anyone who could find the specified valves that fall under the AIS requirements. The supplies are listed below, and correspondence with each vendor has been provided. As a result of the communications with our vendors, the specified valves could not be produced following the AIS requirements, and is the reason we are requesting this waiver.

- Raritan Supply
- Ferguson
- Tioga
- American Industrial

Sincerely,

Mike McMichael
Project Manager

Attachments

1. List of DB4 Gate Valves Needed
2. Catalog Sheets and Specs of DB4 Gate Valves
3. Correspondence with American Industrial

4. Correspondence with Raritan Supply Co.
5. Correspondence with Tioga Pipe Supply Co.
6. Correspondence with Ferguson Supply
7. Correspondence with EPA

MANUAL VALVE LIST A.I.S. Compliant *
 Rev. 1 Jay 2.11.20

Quan	Size	Spec	Type	End Conn	Material	Rating	Manufacturer	DCO / Model	Raritan / Model	Unit	Total
18	.75"	DB4	Gate	SW X THRD	Carbon Steel	800lb.	Crane	FB-3604XU-W			
0	1"	DB4	Gate	Soc Weld	Carbon Steel	800lb.	Crane	FB-3604XU-W	OVC VOGAN800SW		
41	2"	DB4	Gate	Soc Weld	Carbon Steel	800lb.	Crane	FB-3604XU-W	OVC VOGA800SW		
6	6"	DB4	Gate	Flanged	Carbon Steel	300lb.	Crane	33	OVC VOCS300GT		
12	8"	DB4	Gate	Flanged	Carbon Steel	300lb.	Crane	33	OVC VOCS300GT		



RARITAN VALVE & AUTOMATION

P.O. Box 10120

New Brunswick, NJ 08906

PHONE: 732.572.2555 FAX: 732.572.2001

E-MAIL: Info@RaritanValve.com WEB: www.RaritanValve.com

**RUTGERS UNIVERSITY
BUSCH CAMPUS COGEN UPGRADE
CONTRACT: RDCCP002-0106**

**SUBMITTAL
GATE VALVES
SPECIFICATION SECTION: DB4**

**Contractor:
Riggs Distler & Company
4 Esterbrook Lane
Cherry Hill, NJ 08003**

**Supplier:
Raritan Valve & Automation
295 Meadow Road
Edison, NJ 08817**



RARITAN VALVE & AUTOMATION

P.O. Box 10120

New Brunswick, NJ 08906

PHONE: 732.572.2555 FAX: 732.572.2001

E-MAIL: Info@RaritanValve.com WEB: www.RaritanValve.com

Contents:

Description:	Page(s):
Manufacturer and Supplier Information	3
Parts and Service Contacts	3
Equipment List: Gate Valves	4
GA800TESW: OVC GA800TESW Series 800# Handwheel Operated OS&Y Forged Carbon Steel Gate Valve Submittal Page, Materials of Construction, & Dimensional Drawing	5
GA800SW: OVC GA800TESW Series Gate Valve Dimensional Drawing	6
CS300GT: OVC CS300GT Series ANSI 300 Handwheel Operated OS&Y Carbon Steel Gate Valve Submittal Page, Materials of Construction, & Dimensional Drawing	7
CS300GT: OVC CS300GT Series Gate Valve Dimensional Drawing	8
400500 Attachment B: DB4 Gate Valve Specification	9-14



RARITAN VALVE & AUTOMATION

P.O. Box 10120

New Brunswick, NJ 08906

PHONE: 732.572.2555 FAX: 732.572.2001

E-MAIL: Info@RaritanValve.com WEB: www.RaritanValve.com

Manufacturer and Supplier Information:

Manufacturer:

Ohio Valve Company
4061 Clough Woods Drive
Batavia, OH 45103
Ph: (513) 752-5600

Supplier:

Raritan Valve & Automation
295 Meadow Road
Edison, NJ 08817
Ph: 732-572-2555

Parts and Service Contacts:

Manufacturer:

Ohio Valve Company
4061 Clough Woods Drive
Batavia, OH 45103
Ph: (513) 752-5600

Supplier:

Raritan Valve & Automation
295 Meadow Road
Edison, NJ 08817
Ph: 732-572-2555



RARITAN VALVE & AUTOMATION

P.O. Box 10120

New Brunswick, NJ 08906

PHONE: 732.572.2555 FAX: 732.572.2001

E-MAIL: Info@RaritanValve.com WEB: www.RaritanValve.com

Equipment List: Gate Valves

Model Number:	VOGA800TESW3/4
Size:	3/4"
Description:	3/4" OVC OS&Y Forged Steel Gate Valve, Carbon Steel ASTM A105 Body, ASTM A276-410SS Stem, ASTM A276-420SS Gate, ASTM A276-410SS + Stellite Seat, Graphite Packing, Socket Weld x FNPT Ends, 1975PSIG @ 100°F, API 602 Standards, Handwheel Operated.
Quantity:	18 Each

Model Number:	VOGA800SW2
Size:	2"
Description:	2" OVC OS&Y Forged Steel Gate Valve, Carbon Steel ASTM A105 Body, ASTM A276-410SS Stem, ASTM A276-420SS Gate, ASTM A276-410SS + Stellite Seat, Graphite Packing, Socket Weld Ends, 1975PSIG @ 100°F, API 602 Standards, Handwheel Operated.
Quantity:	41 Each

Model Number:	VOCS300GT6
Size:	6"
Description:	6" OVC OS&Y Cast Steel Gate Valve, Carbon Steel A216-WCB Body, API Trim #8, A182-F6A Stainless Steel Stem, A216-WCB + CR13 Gate, A105 + Stellite #6 Seat, Graphite Packing, ANSI 300 Flanged Ends, 740PSIG @ 100°F, ASME B16.5 Standards, Handwheel Operated.
Quantity:	6 Each

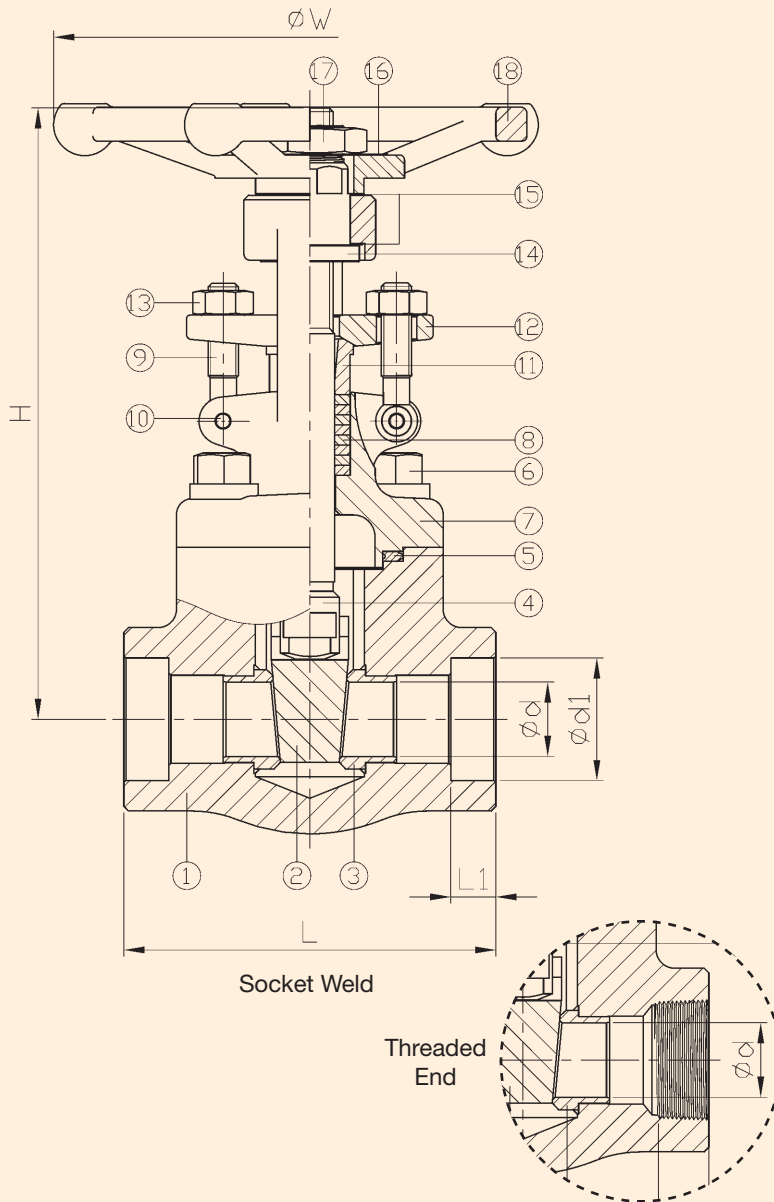
Model Number:	VOCS300GT8
Size:	8"
Description:	8" OVC OS&Y Cast Steel Gate Valve, Carbon Steel A216-WCB Body, API Trim #8, A182-F6A Stainless Steel Stem, A216-WCB + CR13 Gate, A105 + Stellite #6 Seat, Graphite Packing, ANSI 300 Flanged Ends, 740PSIG @ 100°F, ASME B16.5 Standards, Handwheel Operated
Quantity:	12 Each

OVC# GA800SW/TE

Socket Weld End & Threaded End Forged Steel Gate Valve

Features

- Basic design: API 602
- Test: API 598
- Socket weld dimensions: ASME B16.11
- Screw end dimensions: ASME B1.20.1 (NPT)

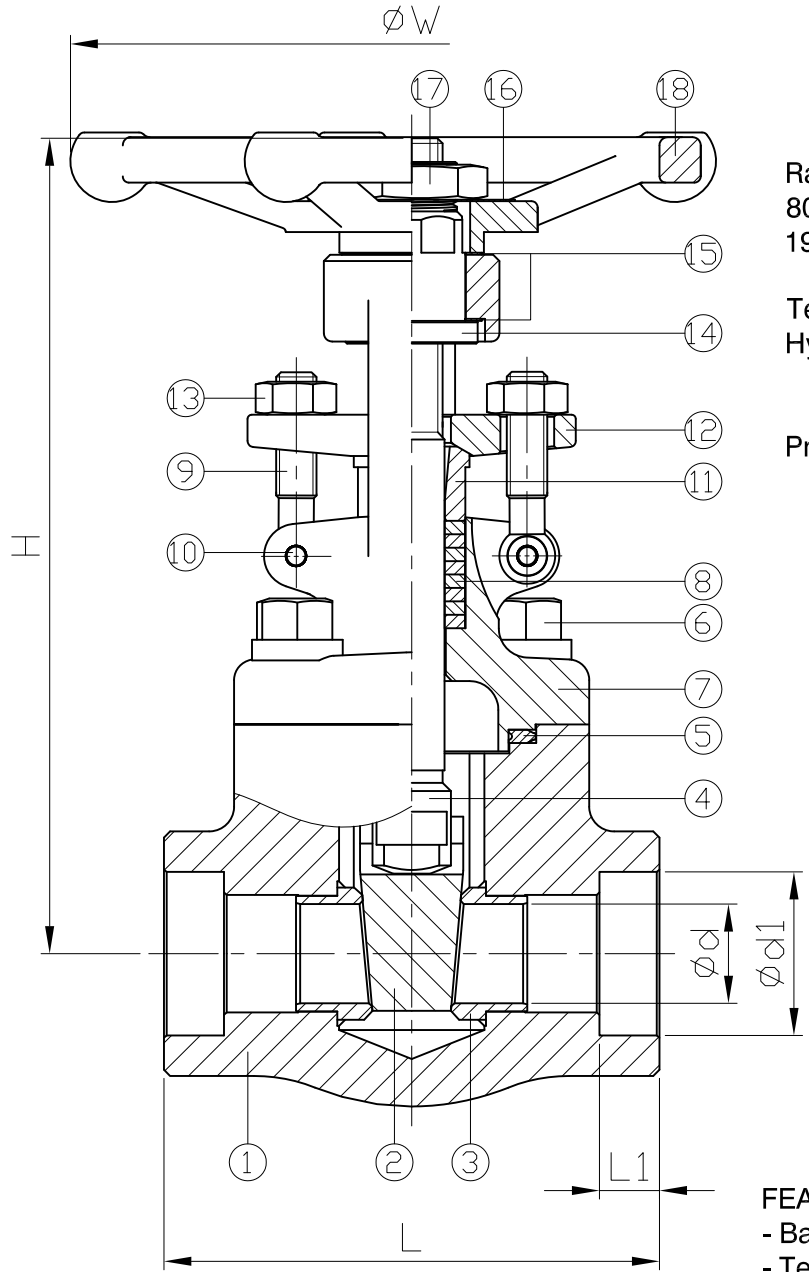


NO.	DESCRIPTION	MATERIAL
1	BODY	ASTM A105
2	WEDGE	ASTM A276-420
3	SEAT	ASTM A276-410 + STELLITE
4	STEM	ASTM A276-410
5	GASKET	304 + GRAPHITE
6	BOLT	ASTM A193-B7
7	BONNET	ASTM A105
8	PACKING	GRAPHITE
9	EYE BOLT	ASTM A193-B7
10	PIN	ASTM A276-304
11	GLAND	ASTM A276-420
12	GLAND FLANGE	ASTM A216-WCB
13	NUT	ASTM A194-2H
14	STEM NUT	ASTM A276-410
15	WASHER	ASTM A276-410
16	NAMEPLATE	ALUMINUM
17	HANDWHEEL NUT	ASTM A108-1020
18	HANDWHEEL	ASTM A197

NPS	d	d1	L	L1	H OPEN	H CLOSE	W	Weight (lb)
1/4"	0.30	0.56	3.11	0.39	6.18	5.59	3.94	4.6
3/8"	0.37	0.69	3.11	0.39	6.18	5.59	3.94	4.6
1/2"	0.51	0.86	3.11	0.39	6.18	5.59	3.94	4.4
3/4"	0.51	1.07	3.62	0.51	6.18	5.59	3.94	4.9
1"	0.71	1.33	4.37	0.51	7.28	6.50	4.72	7.7
1-1/4"	0.94	1.68	4.72	0.51	8.90	7.87	6.30	11.7
1-1/2"	1.14	1.92	4.72	0.51	9.49	8.23	6.30	13.4
2"	1.44	2.41	5.51	0.63	10.59	9.02	8.66	21.1

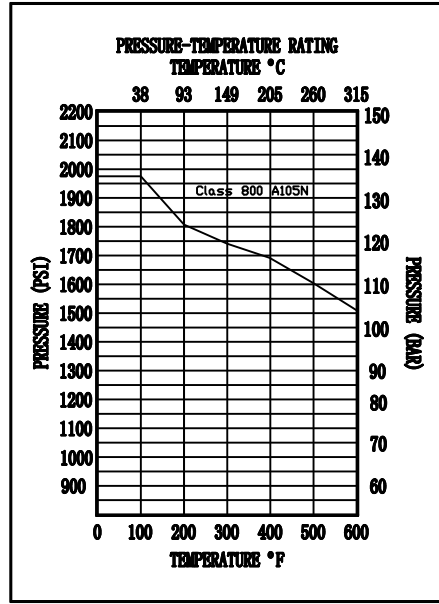
Ra	JIS
0.2	▽▽▽▽
1.6	▽▽
6.3	▽
25	▽
±0.1	±0.8
0.5~5	321~1000
6~30	121~320
31~120	±0.5
121~320	±0.3
321~1000	±0.2
GENERAL TOLERANCE	

E-mail:sales@ohiovalve.com
 Drive Batavia,OH 45103 www.ohiovalve.com
 Ohio Valve Company
 4061 Clough Woods
 Tel:513-752-5600 Fax:513-752-8267



Ratings (ASTM A105)
 800 p.s.i. @ 850 Degrees F
 1975 p.s.i. @ 100 Degrees F

Test pressure (ASTM A105)
 Hydrostatic (minimum)
 Body-3000 p.s.i.
 Back seat-2200 p.s.i.
 Pneumatic
 Seat-100 p.s.i.



FEATURE :
 - Basic design : API 602
 - Test standard : API 598
 - Socket weld dimension : ASME B16.11

DN	d	d1	L	L1	H		W	Weight (kg)
					Open	Close		
8	7.5	14.2	79	10	157	142	100	2.1
10	9.5	17.6	79	10	157	142	100	2.1
15	13	21.8	79	10	157	142	100	2
20	13	27.2	92	13	157	142	100	2.2
25	18	33.9	111	13	185	165	120	3.5
32	24	42.7	120	13	226	200	160	5.3
40	29	48.8	120	13	241	209	160	6.1
50	36.5	61.2	140	16	269	229	220	9.6

unit:mm

NPS	d	d1	L	L1	H		W	Weight (lb)
					Open	Close		
1/4"	0.3	0.56	3.11	0.39	6.18	5.59	3.94	4.6
3/8"	0.37	0.69	3.11	0.39	6.18	5.59	3.94	4.6
1/2"	0.51	0.86	3.11	0.39	6.18	5.59	3.94	4.4
3/4"	0.51	1.07	3.62	0.51	6.18	5.59	3.94	4.9
1"	0.71	1.33	4.37	0.51	7.28	6.5	4.72	7.7
1-1/4"	0.94	1.68	4.72	0.51	8.9	7.87	6.3	11.7
1-1/2"	1.14	1.92	4.72	0.51	9.49	8.23	6.3	13.4
2"	1.44	2.41	5.51	0.63	10.59	9.02	8.66	21.1

unit:in

ITEM	PARTS	MATERIAL
1	BODY	ASTM A105N
2	WEDGE	ASTM A276-420
3	SEAT	ASTM A276-410+STELLITE
4	STEM	ASTM A276-410
5	GASKET	304+ GRAPHITE
6	BOLT	ASTM A193-B7
7	BONNET	ASTM A105N
8	PACKING	GRAPHITE
9	EYE BOLT	ASTM A193-B7
10	PIN	ASTM A276-304
11	GLAND	ASTM A276-420
12	GLAND FLANGE	ASTM A216-WCB
13	NUT	ASTM A194-2H
14	STEM BUSHING	ASTM A276-410
15	WASHER	
16	NAMEPLATE	ALUMINUM
17	HANDWHEEL NUT	ASTM A108-1020
18	HANDWHEEL	ASTM A197



CHECK BY	DRAWING BY	DATE	SPECIFICATION	Forged Type Socket Weld End Gate Valve Class 800
	<i>Jammy</i>	Feb.24.2016	MATERIAL	A105N
			PROCESS/Nr.	
			UNIT / SCALE	mm

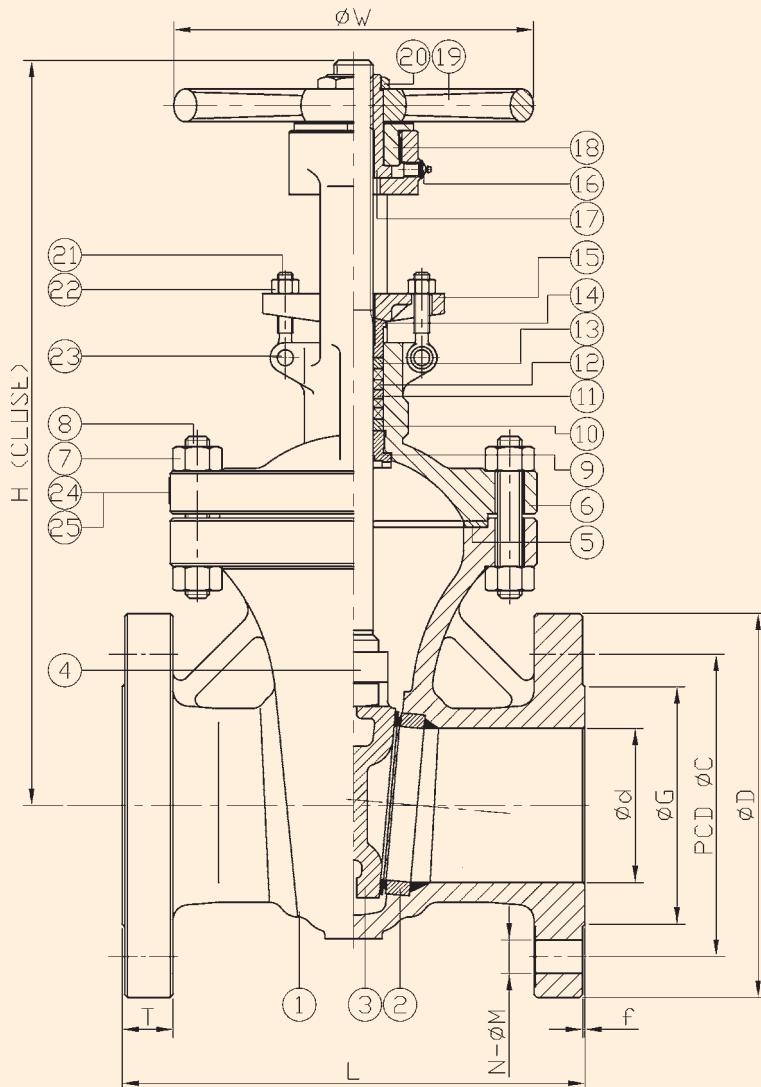
△			
△			
△			
Revise	Description	Date	Approve
DRAWING NO.		GA800SW	

OVC# CS300GT

Class 300 Carbon Steel Gate Valve

Features

- Face to face dimensions: ASME B16.10
- Flange end dimensions: ASME B16.5
- Test: API 598
- Design: API 600



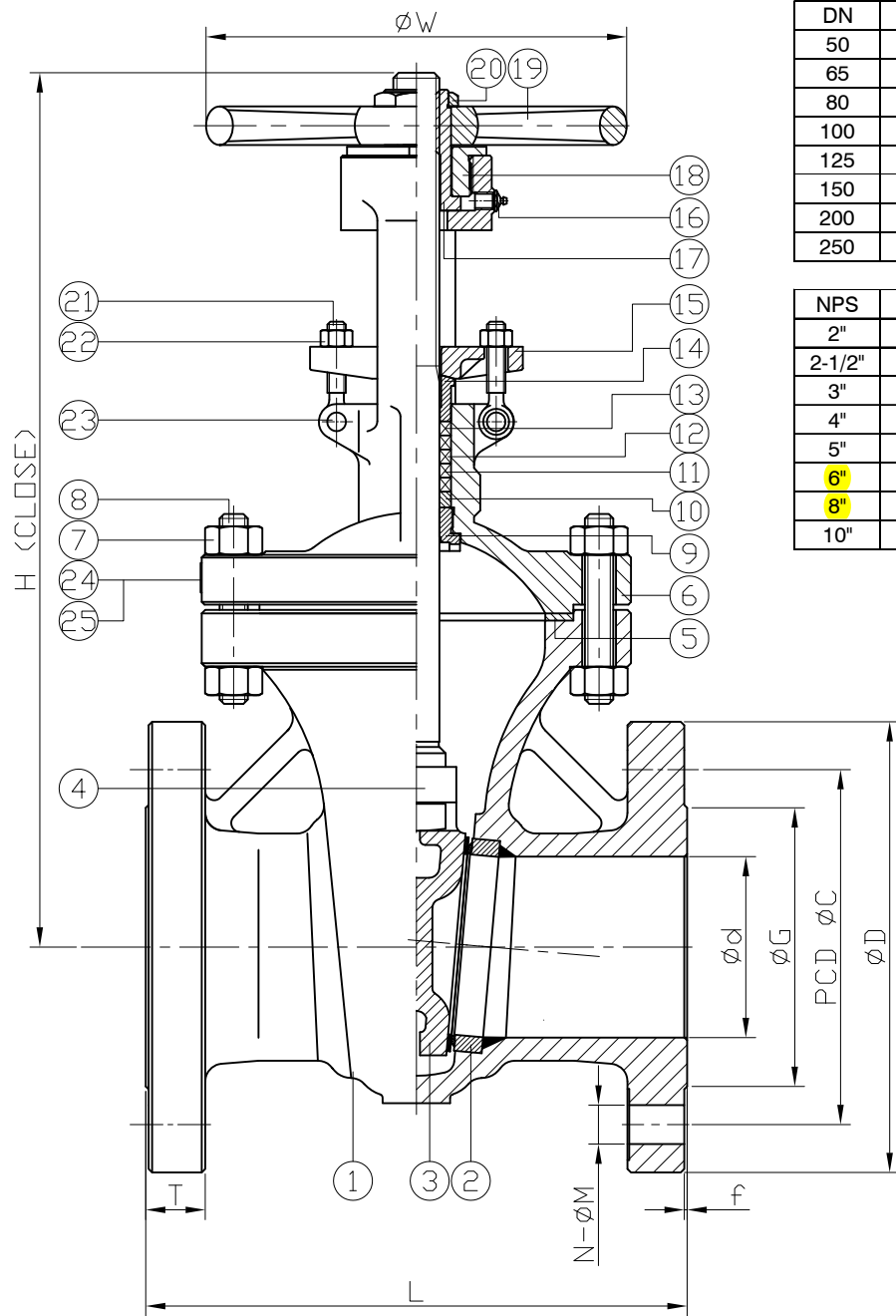
NO.	DESCRIPTION	MATERIAL
1	BODY	ASTM A216-WCB
2	SEAT RING	ASTM A105+STL#6
3	WEDGE	ASTM A216-WCB+Cr13
4	STEM	ASTM A182-F6a
5	GASKET	SS 304 + GRAPHITE
6	BONNET	ASTM A216-WCB
7	NUT	ASTM A194-2H
8	STUD	ASTM A193-B7
9	BACK SEAT	ASTM A276-410
10	PACKING A	GRAPHITE
11	SPACER RING	ASTM A276-410
12	PACKING B	GRAPHITE
13	PACKING C	GRAPHITE
14	GLAND	ASTM A276-410
15	GLAND FLANGE	ASTM A216-WCB
16	GREASE FITTING	CARBON STEEL
17	STEM BUSHING	ASTM A439 D-2
18	RETAINING NUT	ASTM A29-1025
19	HANDWHEEL	DUCTILE IRON
20	NUT	ASTM A29-1025
21	EYE BOLT	ASTM A193-B7
22	NUT	ASTM A194-2H
23	PIN	ASTM A29-1025
24	NAMEPLATE	SS 304
25	RIVET	SS 304

NPS	d	G	C	D	L	H	W	T	f	M	N	Weight (lb)
2"	2	3.62	5	6.5	8.5	13.78	7.87	0.91	0.06	0.75	8	66.1
2-1/2"	2.5	4.13	5.87	7.48	9.5	15.55	7.87	1.02	0.06	0.87	8	92.6
3"	3	5	6.63	8.27	11.125	16.97	9.84	1.14	0.06	0.87	8	121.3
4"	4	6.18	7.87	10	12	19.65	9.84	1.26	0.06	0.87	8	183
5"	5	7.32	9.25	10.98	15	22.2	11.81	1.38	0.06	0.87	8	238.1
6"	6	8.5	10.63	12.52	15.875	25.47	13.78	1.46	0.06	0.87	12	302
8"	8	10.63	12.99	15	16.5	29.8	15.75	1.65	0.06	0.98	12	529.1
10"	10	12.76	15.26	17.52	18	36.5	17.72	1.89	0.06	1.14	16	734.1
12"	12	15	17.76	20.51	19.75	42.13	19.69	2.01	0.06	1.26	16	1181.7

TOLL FREE (877) 423-2660 • (513) 752-5600 • FAX (513) 752-8267
 EMAIL sales@ohiovalve.com • WEB www.ohiovalve.com

Ra
0.2
1.6
6.3
25
JIS
± 0.1
0.5-5
± 0.2
6-30
± 0.3
31-120
± 0.5
121-320
± 0.8
321-1000

E-mail:sales@ohiovalve.com
GENERAL TOLERANCE
Drive Batavia, OH 45103 www.ohiovalve.com
Tel:513-752-5600 Fax:513-752-8267



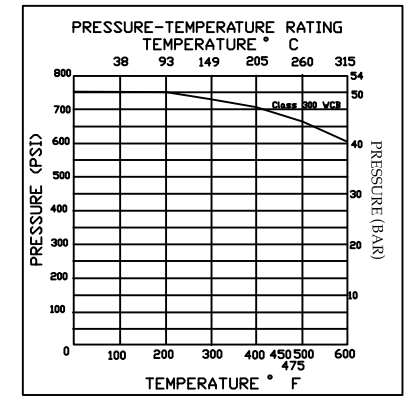
DN	d	G	C	D	L	H	W	T	f	N	M	Weight (kg)
50	51	92	127	165	216	331	200	23	1.6	8	19	30
65	64	105	149	190	241	375	200	26	1.6	8	22	42
80	76	127	168.5	210	283	382	250	29	1.6	8	22	55
100	102	157	200	254	305	450	250	32	1.6	8	22	83
125	127	186	235	279	381	564	300	35	1.6	8	22	108
150	152	216	270	318	403	627	350	37	1.6	12	22	137
200	203	270	330	381	419	757	400	42	1.6	12	26	240
250	254	324	387.5	445	457	927	450	48	1.6	16	29	333

unit:mm

NPS	d	G	C	D	L	H	W	T	f	N	M	Weight (lb)
2"	2	3.62	5	6.5	8.5	13.03	7.87	0.91	0.06	8	0.75	66.1
2-1/2"	2.5	4.13	5.87	7.48	9.5	14.76	7.87	1.02	0.06	8	0.87	92.6
3"	3	5	6.63	8.27	11.125	15.04	9.84	1.14	0.06	8	0.87	121.3
4"	4	6.18	7.87	10	12	17.72	9.84	1.26	0.06	8	0.87	183
5"	5	7.32	9.25	10.98	15	22.2	11.81	1.38	0.06	8	0.87	238.1
6"	6	8.5	10.63	12.52	15.875	24.69	13.78	1.46	0.06	12	0.87	302
8"	8	10.63	12.99	15	16.5	29.8	15.75	1.65	0.06	12	1.02	529.1
10"	10	12.76	15.26	17.52	18	36.5	17.72	1.89	0.06	16	1.14	734.1

unit:in

ITEM	PARTS	MATERIAL
1	BODY	ASTM A216-WCB
2	SEAT RING	ASTM A105+STL#6
3	WEDGE	ASTM A216-WCB+Cr13
4	STEM	ASTM A182-F6a
5	GASKET	SPW SS 304+GRAPHITE
6	BONNET	ASTM A216-WCB
7	NUT	ASTM A194-2H
8	STUD	ASTM A193-B7
9	BACK SEAT	ASTM A276-410
10	SPACER RING	
11	PACKING A	GRAPHITE
12	PACKING B	
13	PACKING C	
14	GLAND	ASTM A276-410
15	GLAND FLANGE	ASTM A216-WCB
16	GREASE FITTING	CARBON STEEL
17	STEM BUSHING	ASTM A439 D-2
18	RETAINING NUT	ASTM A29-1025
19	HANDWHEEL	DUCTILE IRON
20	NUT	ASTM A29-1025
21	EYE BOLT	ASTM A193-B7
22	NUT	ASTM A194-2H
23	PIN	ASTM A29-1025
24	NAMEPLATE	SS 304
25	RIVET	



FEATURES :
 - Face to face dimensions : ASME B16.10
 - Flange end dimensions : ASME B16.5
 - Test : API 598
 - Design : API 600 / ASME B16.34



CHECK BY	DRAWING BY	DATE	SPECIFICATION	Flanged End Gate Valve Class 300
	Sammy	Jan.21.2015	MATERIAL	WCB
			PROCESS/Nr.	
			UNIT / SCALE	mm

△			
△			
△			
Revise	Description	Date	Approve
DRAWING NO. CS300GT			



Client/Project	Rutgers University / Busch Cogeneration Plant Upgrade Project		
Project No.	31-539		
Specification	400500 Attachment B	Material Class	DB4
Revision	0	Date	2/14/2020
Prepared By	CPS	Reviewed By	DD

Applicable Systems: Hot Water, Makeup Water

Design Code: ASME B31.1
 Pressure Class: ASME Class 300
 Material: Carbon Steel
 Corrosion Allowance: 0.063"

Pipe: 2" & Under ASTM A106 Grade B, Seamless, Sch 80
 2-1/2" - 24" ASTM A106 Grade B, Seamless, Sch 40

Fittings: 2" & Under 3000# Forged Socket Weld Fittings, ASTM A105, ASME B16.11
 2-1/2" - 24" Wrought Butt-Weld Fittings, ASTM A234 Grade WPB, Seamless, ASME B16.9, Sch to Match Pipe

Flanges: 2" & Under Class 300 Raised Faced Flanges, Socket Weld, ASTM A105, ASME B16.5
 2-1/2" - 24" Class 300 Raised Faced Flanges, Weld Neck, ASTM A105, ASME B16.5

Branch Connections: 2" & Under Full Size Tee, Reducing Tee, Sockolets per MSS-SP-97
 2-1/2" - 24" Full Size Tee, Reducing Tee, Weldolets per MSS-SP-97

Unions: 2" & Under 3000# Forged Unions, ASTM A105, ASME B16.11
 2-1/2" - 24" Use Flanges

Gaskets: 1/8" Thick, Class 300 Spiral Wound Gaskets, 304SS with Flexicarb Filler, Flexitallic or approved equal, ASME B16.20

Bolting: ASTM A193 Grade B7 Studs, ASME B1.1 with ASTM A194 Grade 2H Heavy Hex Nuts, ASME B18.2.2



Client/Project	Rutgers University / Busch Cogeneration Plant Upgrade Project		
Project No.	31-539		
Specification	400500 Attachment B	Material Class	DB4
Revision	0	Date	2/14/2020
Prepared By	CPS	Reviewed By	DD

Ball Valves

Type: Not Used
Size Range:
Design Codes:
Pressure Class:
End Connection:
Body:
Disc/Ball/Plug:
Seat:
Stem:
Manufacturers:

Notes:

Butterfly Valves

Type: Not Used
Size Range:
Design Codes:
Pressure Class:
End Connection:
Body:
Disc/Ball/Plug:
Seat:
Stem:
Manufacturers:

Notes:



Client/Project	Rutgers University / Busch Cogeneration Plant Upgrade Project		
Project No.	31-539		
Specification	400500 Attachment B	Material Class	DB4
Revision	0	Date	2/14/2020
Prepared By	CPS	Reviewed By	DD

Check Valves

Type: Swing Check Valve
 Size Range: 1/2" to 2"
 Design Codes: ASME B16.34 API 602
 Pressure Class: Class 800
 End Connection: Socket Weld
 Body: Carbon Steel, ASTM A105
 Disc/Ball/Plug: Stainless Steel Hardfaced
 Seat: Stainless Steel Hardfaced
 Hing Pin: Stainless Steel
 Manufacturers: Crane model FB-3675XU-W or approved equal
 Notes: Bolted Cover, Stainless Steel and Graphite Gasket

Type: Swing Check Valve
 Size Range: 2-1/2" to 24"
 Design Codes: ASME B16.5, B16.10, B16.34, API 598
 Pressure Class: Class 300
 End Connection: Flanged
 Body: Carbon Steel, ASTM A216 Gr WCB
 Disc/Ball/Plug: Stainless Steel Hardfaced
 Seat: Stainless Steel Hardfaced
 Hing Pin: Stainless Steel
 Manufacturers: Crane Figure 159 or approved equal
 Notes: Bolted Cover, Stainless Steel and Graphite Gasket

Gate Valves

Type: Gate Valve
 Size Range: 1/2" to 2"
 Design Codes: ASME B16.34 API 602
 Pressure Class: Class 800
 End Connection: Socket Weld
 Body: Carbon Steel, ASTM A105
 Disc/Ball/Plug: Stainless Steel Hardfaced
 Seat: Stainless Steel Hardfaced
 Stem: Stainless Steel
 Manufacturers: Crane model FB-3604XU-W or approved equal
 Notes: Outside Screw & Yoke, Bolted Bonnet, Spiral Wound Stainless Steel and Graphite Gasket, Graphite Packing

Type: Gate Valve
 Size Range: 2-1/2" to 24"
 Design Codes: ASME B16.34 API 600
 Pressure Class: Class 300
 End Connection: Flanged
 Body: Carbon Steel, ASTM A216 Gr WCB
 Disc/Ball/Plug: Stainless Steel Hardfaced
 Seat: Stainless Steel Hardfaced
 Stem: Stainless Steel
 Manufacturers: Crane Figure 33 or approved equal
 Notes: Outside Screw & Yoke, Bolted Bonnet, Spiral Wound Stainless Steel and Graphite Gasket, Graphite Packing



Client/Project	Rutgers University / Busch Cogeneration Plant Upgrade Project		
Project No.	31-539		
Specification	400500 Attachment B	Material Class	DB4
Revision	0	Date	2/14/2020
Prepared By	CPS	Reviewed By	DD

Globe Valves

Type: Globe Valve
 Size Range: 1/2" to 2"
 Design Codes: ASME B16.34 API 602
 Pressure Class: Class 800
 End Connection: Socket Weld
 Body: Carbon Steel, ASTM A105
 Disc/Ball/Plug: Stainless Steel Hardfaced
 Seat: Stainless Steel Hardfaced
 Stem: Stainless Steel
 Manufacturers: Crane model FB-3644XU-W or approved equal
 Notes: Outside Screw & Yoke, Bolted Bonnet, Spiral Wound Stainless Steel and Graphite Gasket, Graphite Packing

Type: Globe Valve
 Size Range: 2-1/2" to 12"
 Design Codes: ASME B16.5, B16.10, B16.34, API 598
 Pressure Class: Class 300
 End Connection: Flanged
 Body: Carbon Steel, ASTM A216 Gr WCB
 Disc/Ball/Plug: Stainless Steel Hardfaced
 Seat: Stainless Steel Hardfaced
 Stem: Stainless Steel
 Manufacturers: Crane Figure 151 or approved equal
 Notes: Outside Screw & Yoke, Bolted Bonnet Stainless Steel and Graphite Gasket Graphite Packing

Root Valves

Type: Gate Valve
 Size Range: 1/2" to 2"
 Design Codes: ASME B16.34 API 602
 Pressure Class: Class 800
 End Connection: Socket Weld x Threaded
 Body: Carbon Steel, ASTM A105
 Disc/Ball/Plug: Stainless Steel Hardfaced
 Seat: Stainless Steel Hardfaced
 Stem: Stainless Steel
 Manufacturers: Crane model FB-3604XU-TxW or approved equal
 Notes: Outside Screw & Yoke, Bolted Bonnet, Spiral Wound Stainless Steel and Graphite Gasket, Graphite Packing



Client/Project	Rutgers University / Busch Cogeneration Plant Upgrade Project		
Project No.	31-539		
Specification	400500 Attachment B	Material Class	DB4
Revision	0	Date	2/14/2020
Prepared By	CPS	Reviewed By	DD

Strainers

Type: Y Strainer
 Size Range: 1/2" to 2"
 Design Codes:
 Pressure Class: Class 600
 End Connection: Socket Weld
 Body: Carbon Steel, ASTM A216 Gr WCB
 Screen: Stainless Steel
 Manufacturers: Mueller 862-BC or approved equal

Notes: Non Asbestos Gaskets.
 See mesh sizes table

Type: Y Strainer
 Size Range: 2-1/2" to 24"
 Design Codes:
 Pressure Class: Class 300
 End Connection: Flanged
 Body: Carbon Steel, ASTM A216 Gr WCB
 Screen: Stainless Steel
 Manufacturers: Mueller 782 or approved equal

Notes: Non Asbestos Gaskets.
 See mesh sizes table

Strainers

Type: Tee Strainer
 Size Range: 2-1/2" to 24"
 Design Codes:
 Pressure Class: Class 300
 End Connection: Flanged
 Body: Carbon Steel
 Screen: Stainless Steel
 Manufacturers: Mueller 42T or approved equal

Notes: Non Asbestos Gaskets.
 See mesh sizes table

Mesh Size

Service	Pipe Size	Straining
Water	2" and Under	0.033"
	2-1/2" to 4"	0.062"
	6" to 12"	0.062"
	14" and Larger	1/8"



Client/Project	Rutgers University / Busch Cogeneration Plant Upgrade Project		
Project No.	31-539		
Specification	400500 Attachment B	Material Class	DB4
Revision	0	Date	2/14/2020
Prepared By	CPS	Reviewed By	DD

Temperature, F		100	200	300	400	500	600	700	800	
Flange Rating	Press, psig	740	680	655	635	605	570	530	410	
Valve Rating	Press, psig									
Pipe Size	Sch 80	1/2								
		3/4								
		1								
		1 1/2								
		2								
Pipe Size	Std	2 1/2								
		3								
		4								
		6								
		8								
		10								
		12								
		14								
		16								
		18								
		20								
24										

Notes:

- 1 Table values are pipe allowable pressures (psig) for given pipe size and temperature. Blank entries indicate that the listed ratings are limiting values.